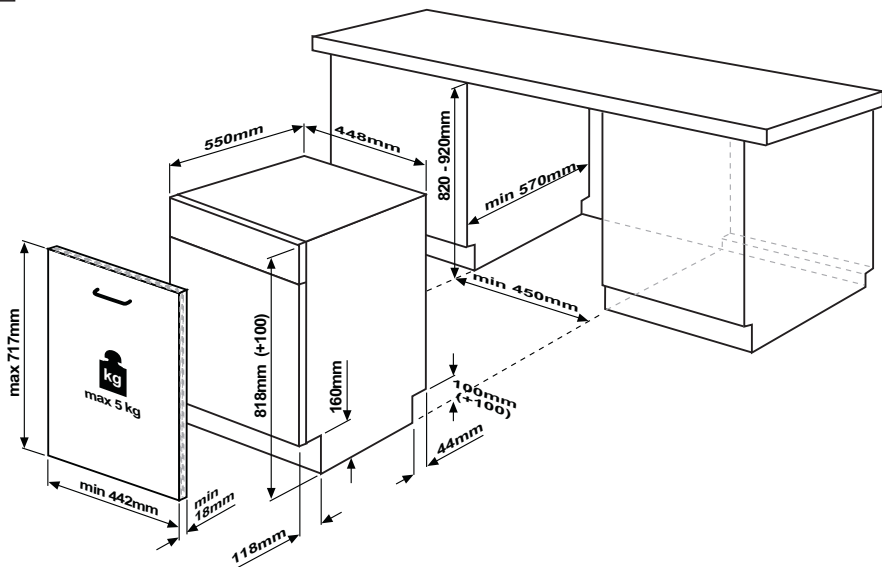
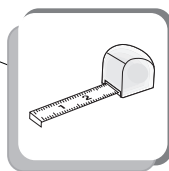
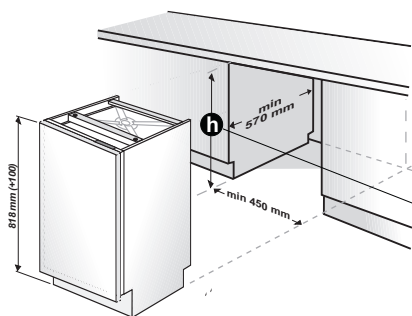


1



2



h = 870mm - 920mm

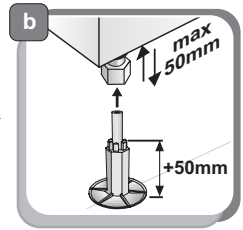
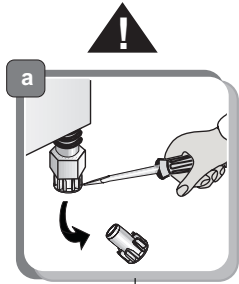
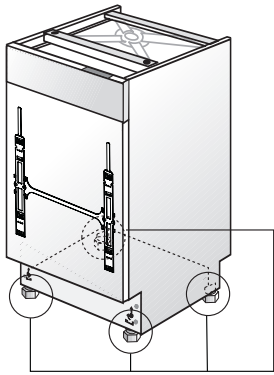
h = 820mm - 870mm

3

4

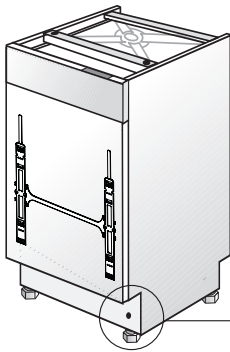


3

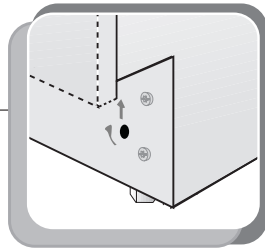


4

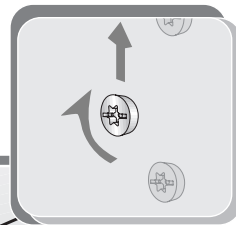
4



?



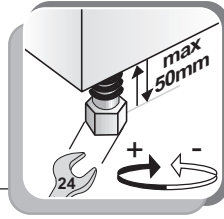
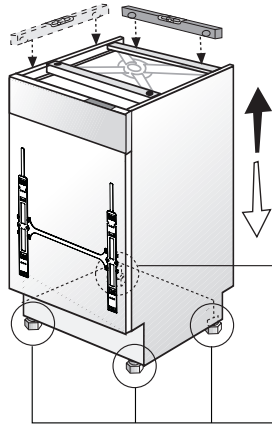
5a



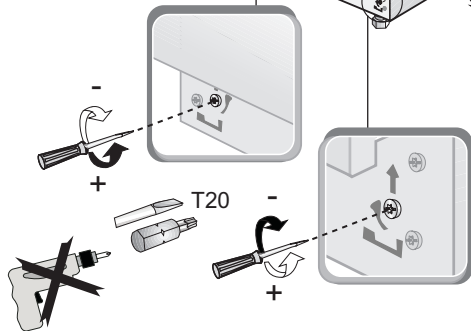
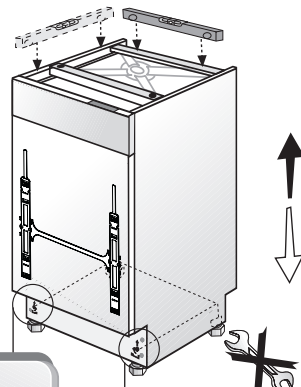
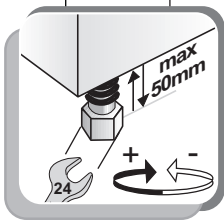
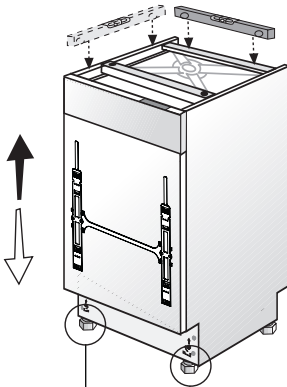
5b



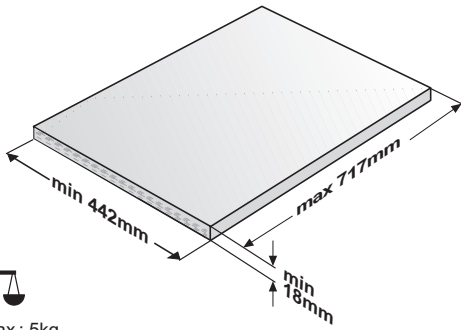
5a



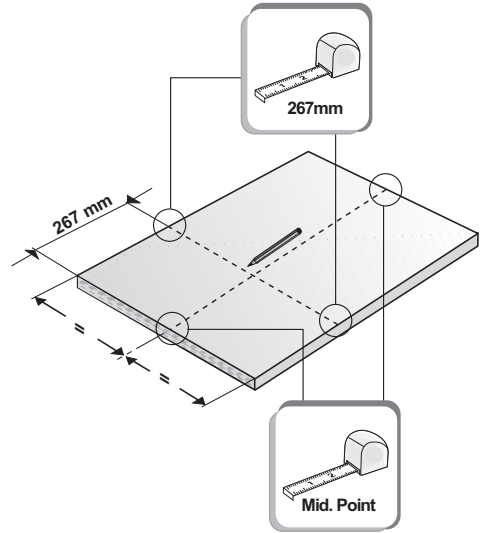
5b



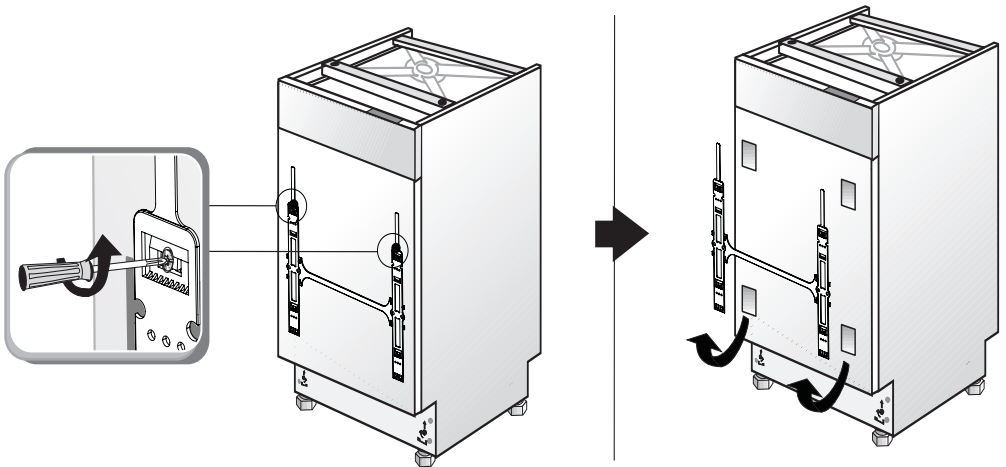
6



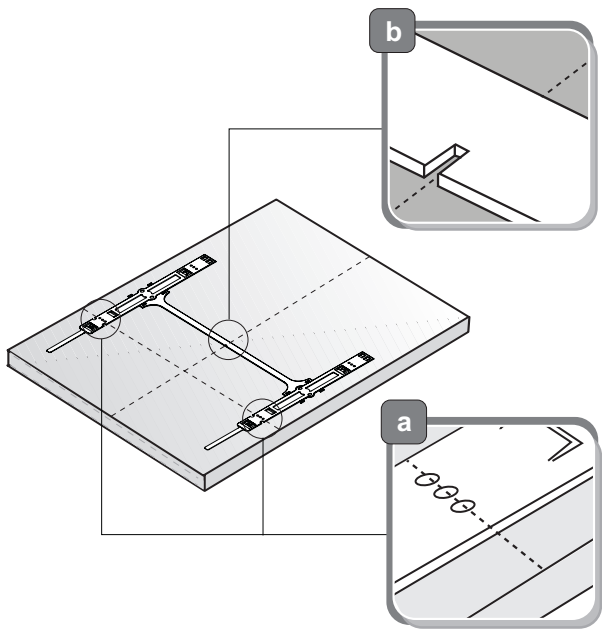

Max : 5kg



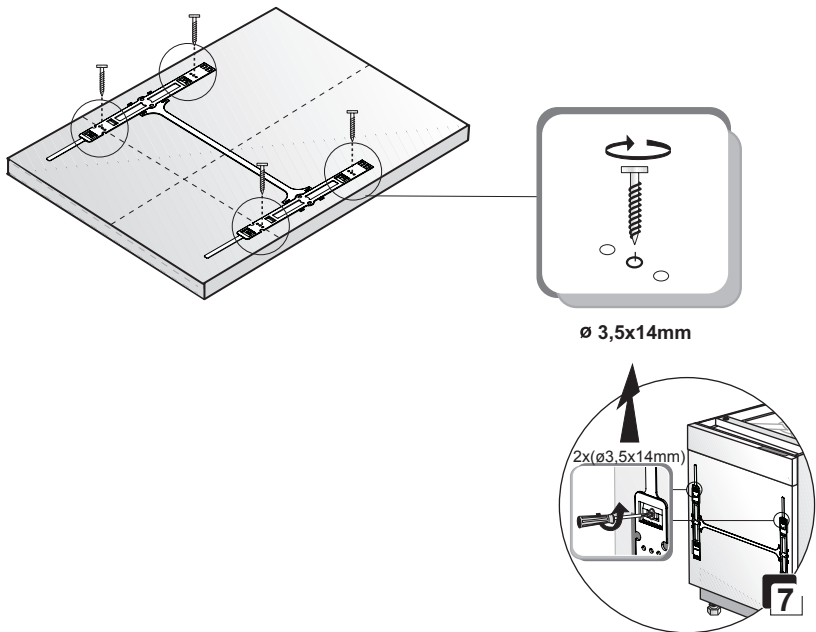
7



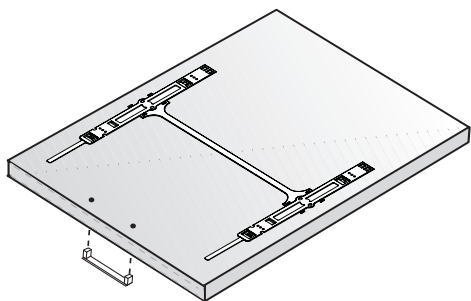
8



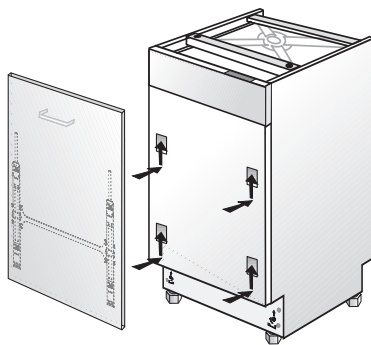
9



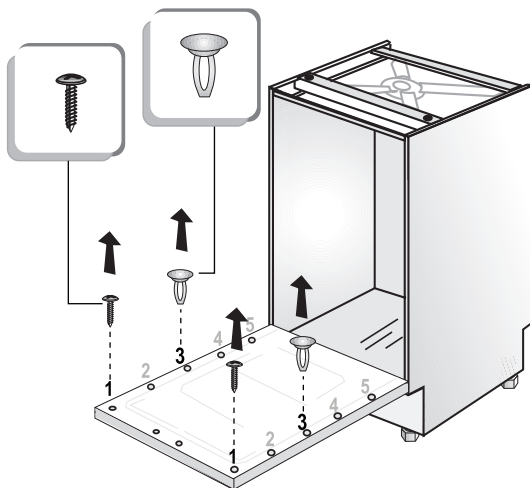
10



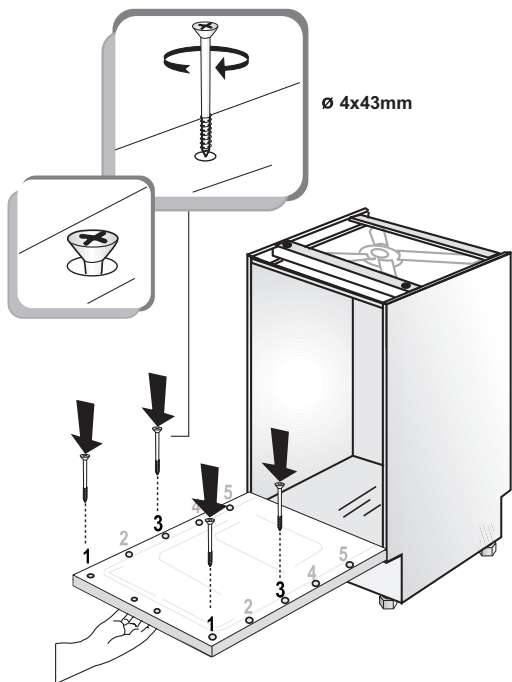
11



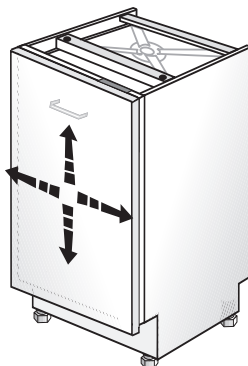
12



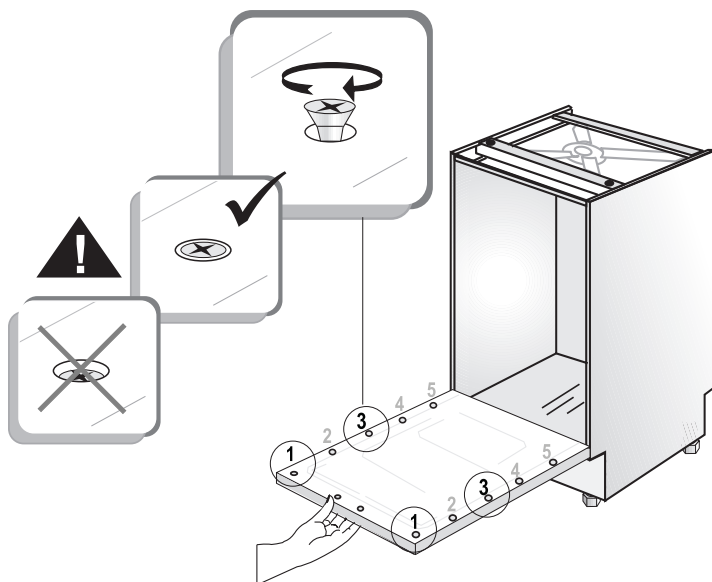
13



14

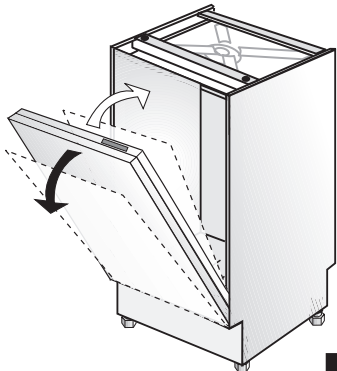


15

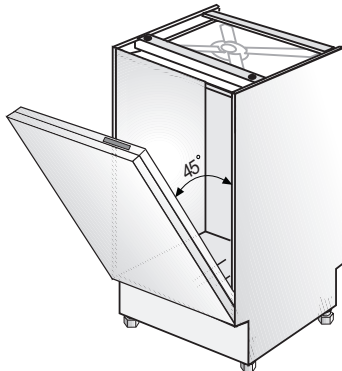


16

?



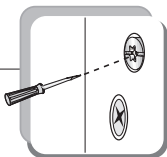
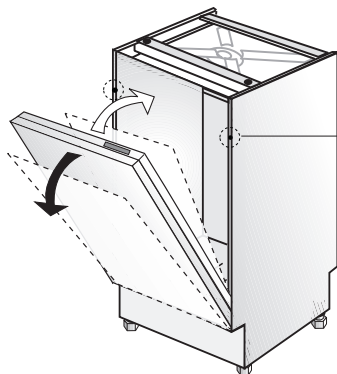
17



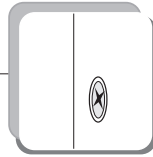
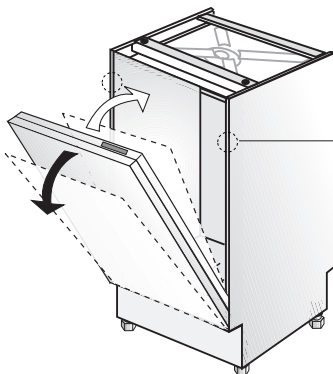
18

17

?



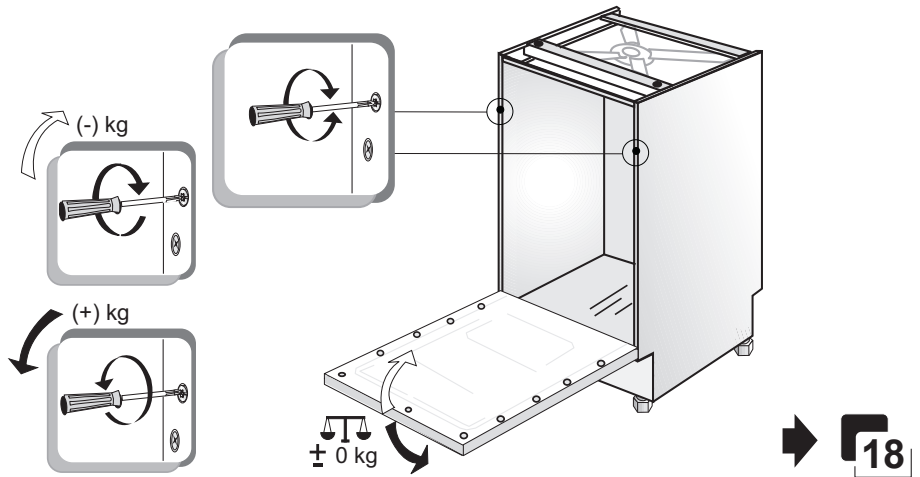
17a



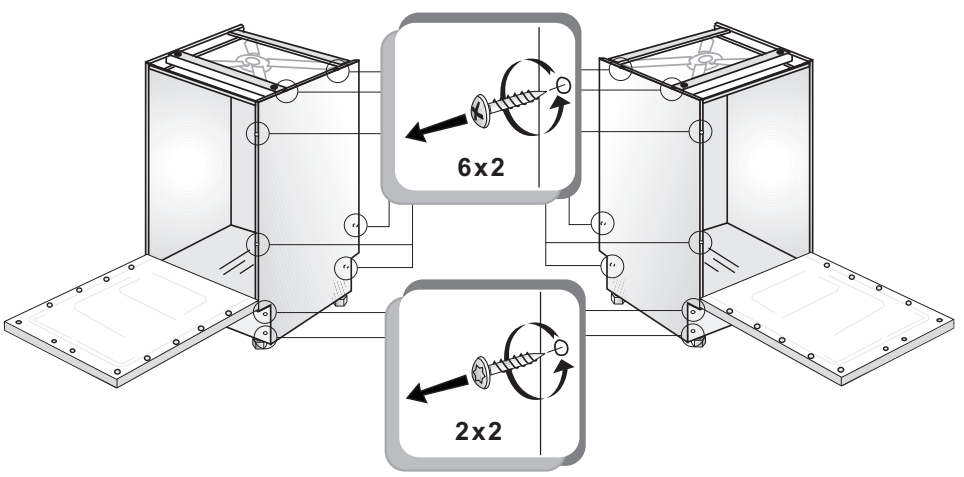
17b1



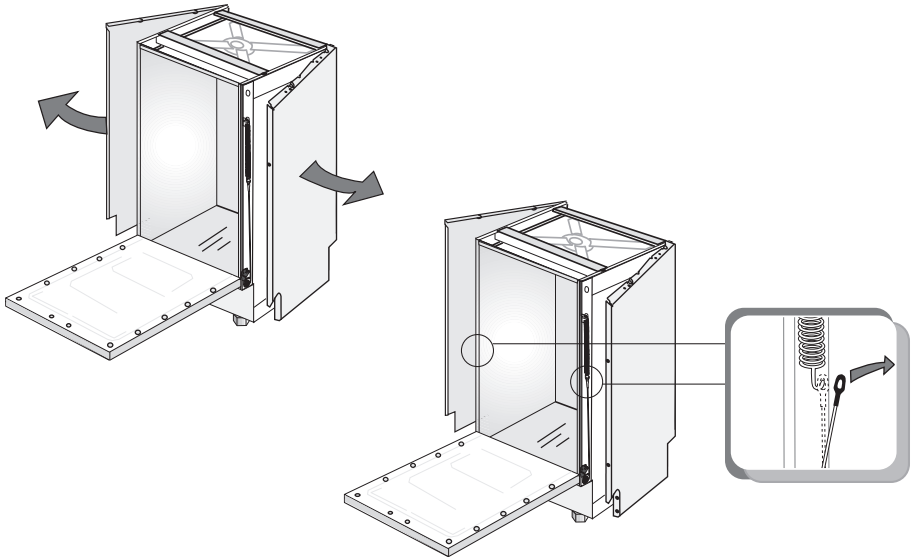
17a



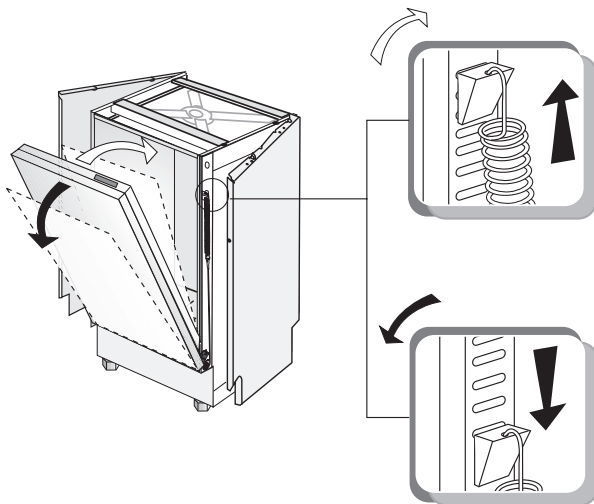
17b1



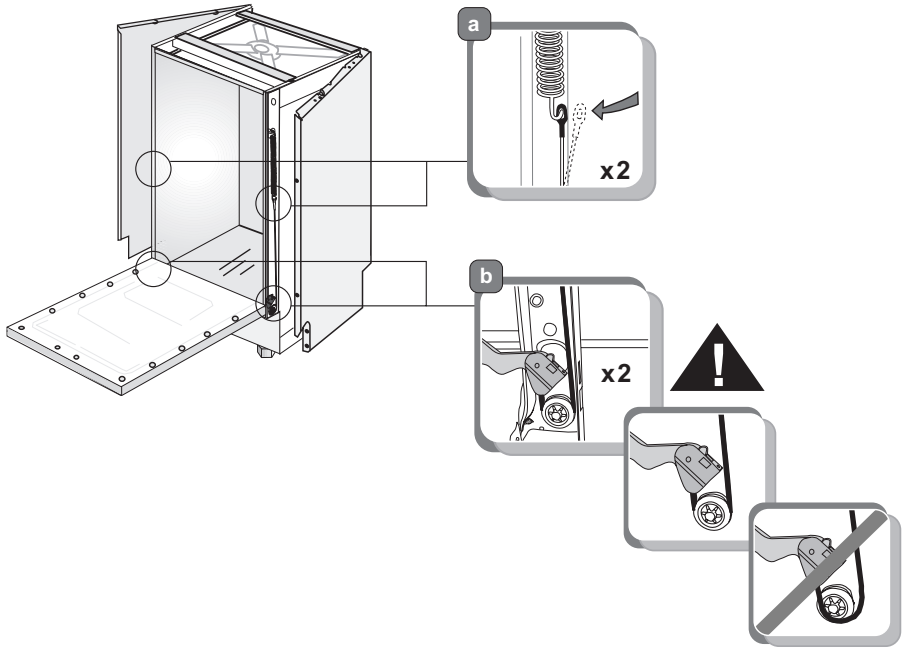
17b2



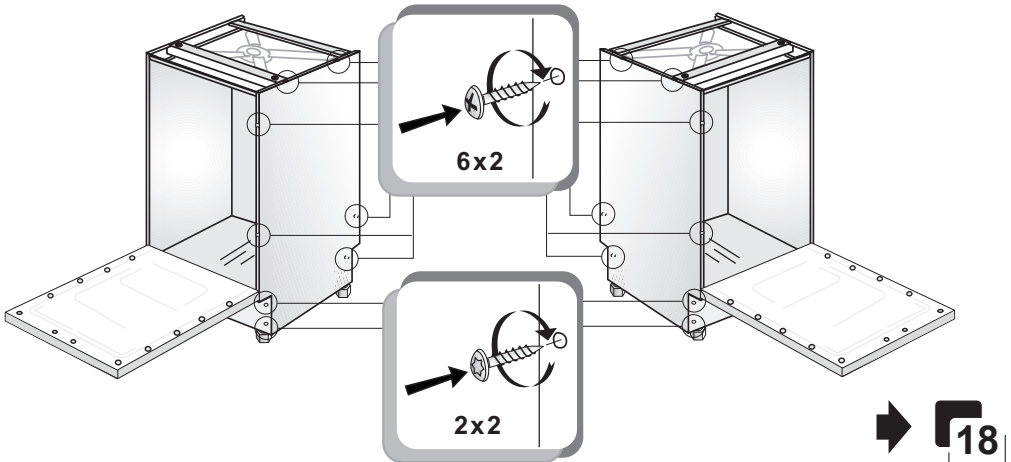
17b3



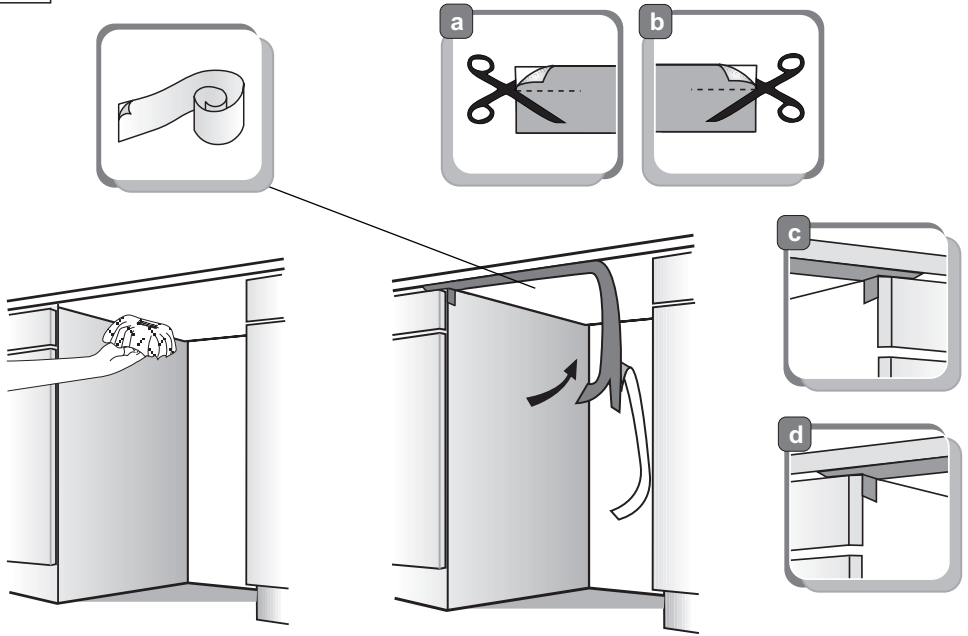
17b4



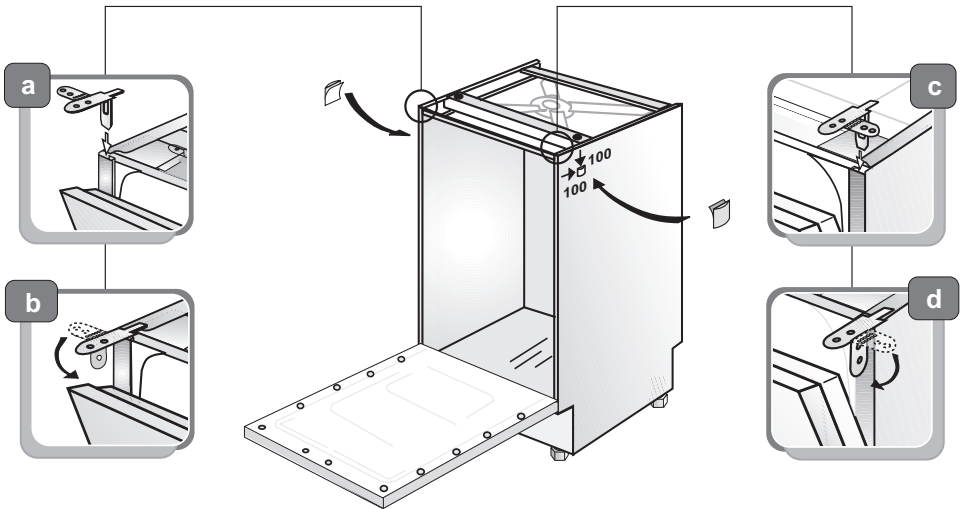
17b5

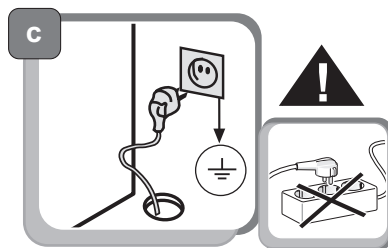
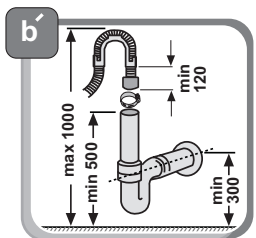
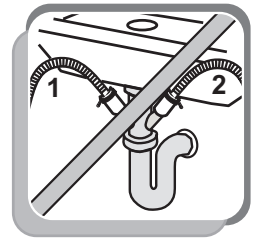
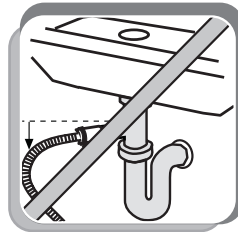
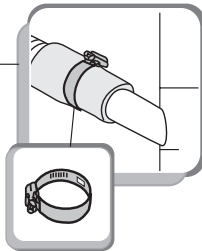
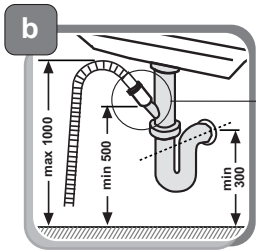
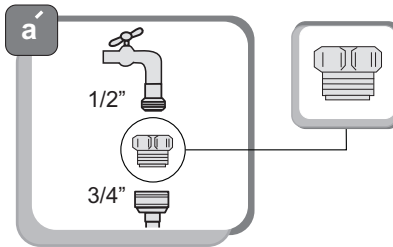
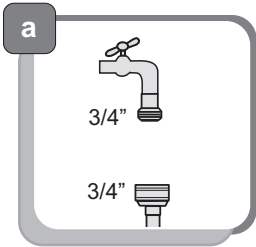
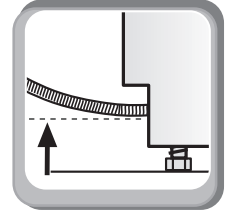
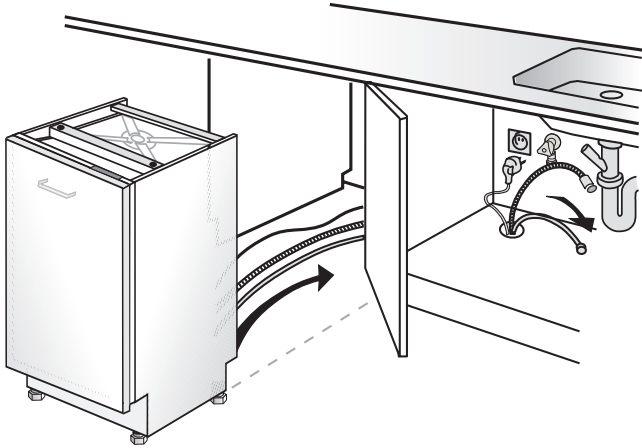


18

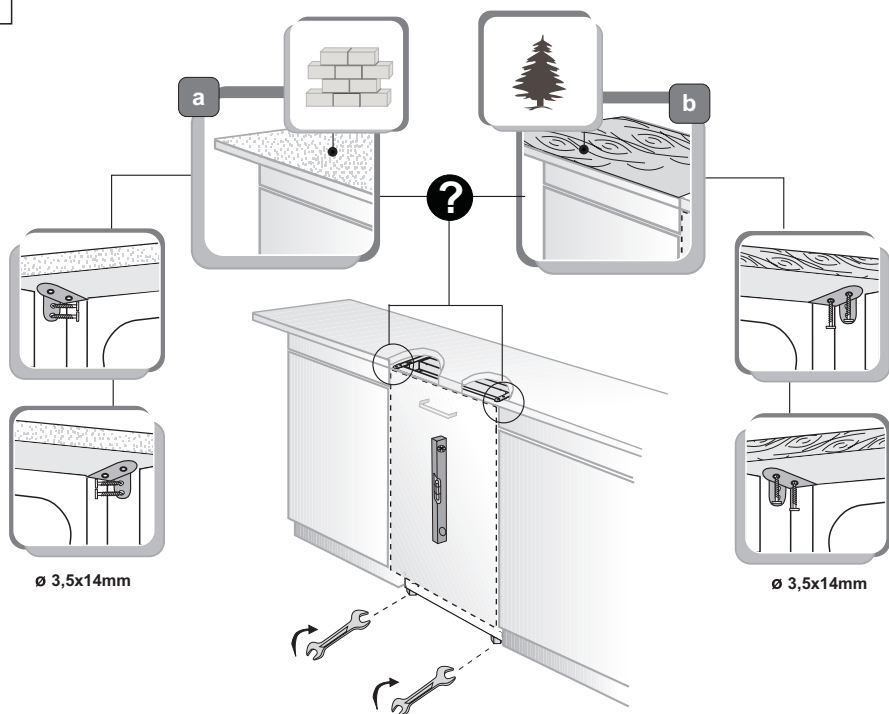


19





21



22

